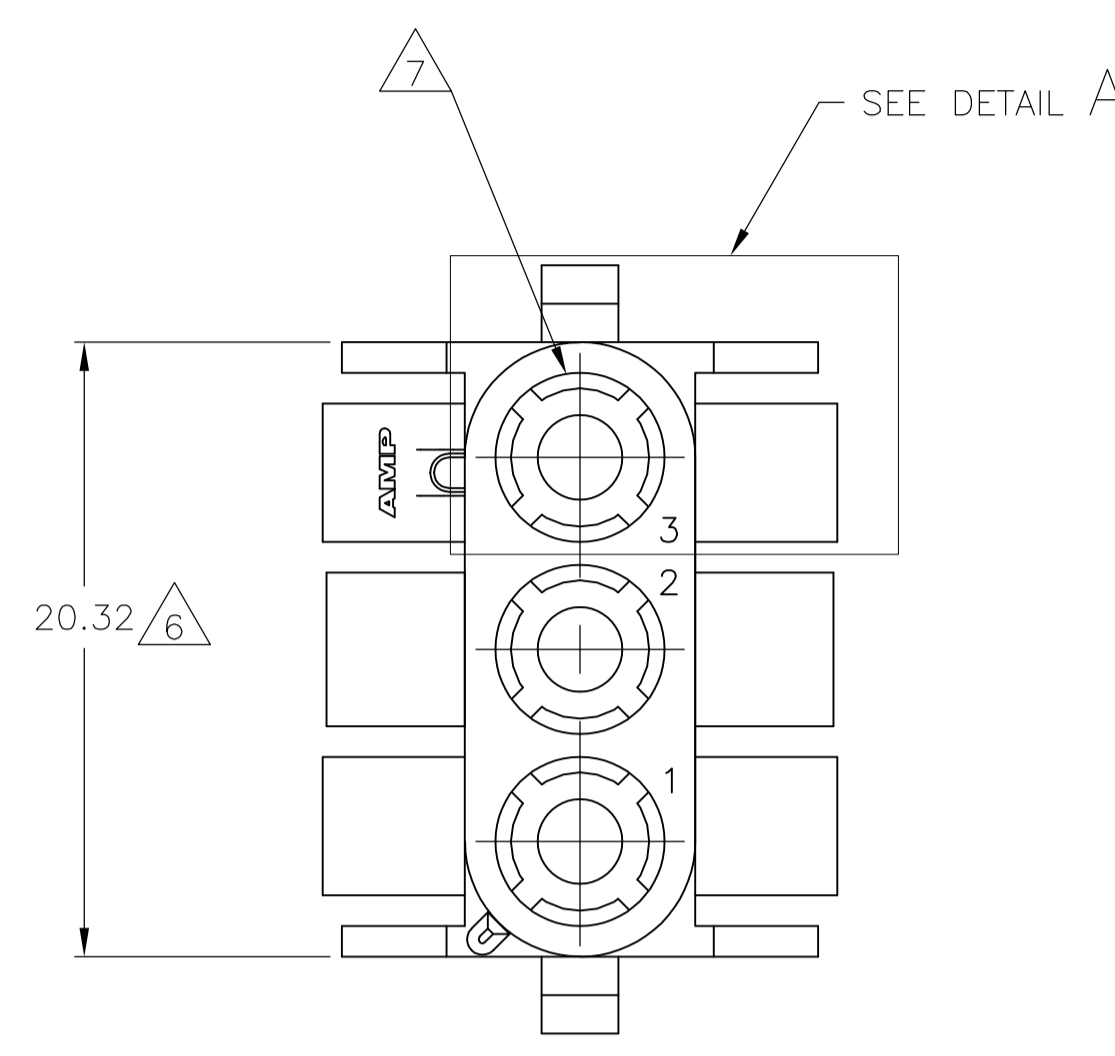
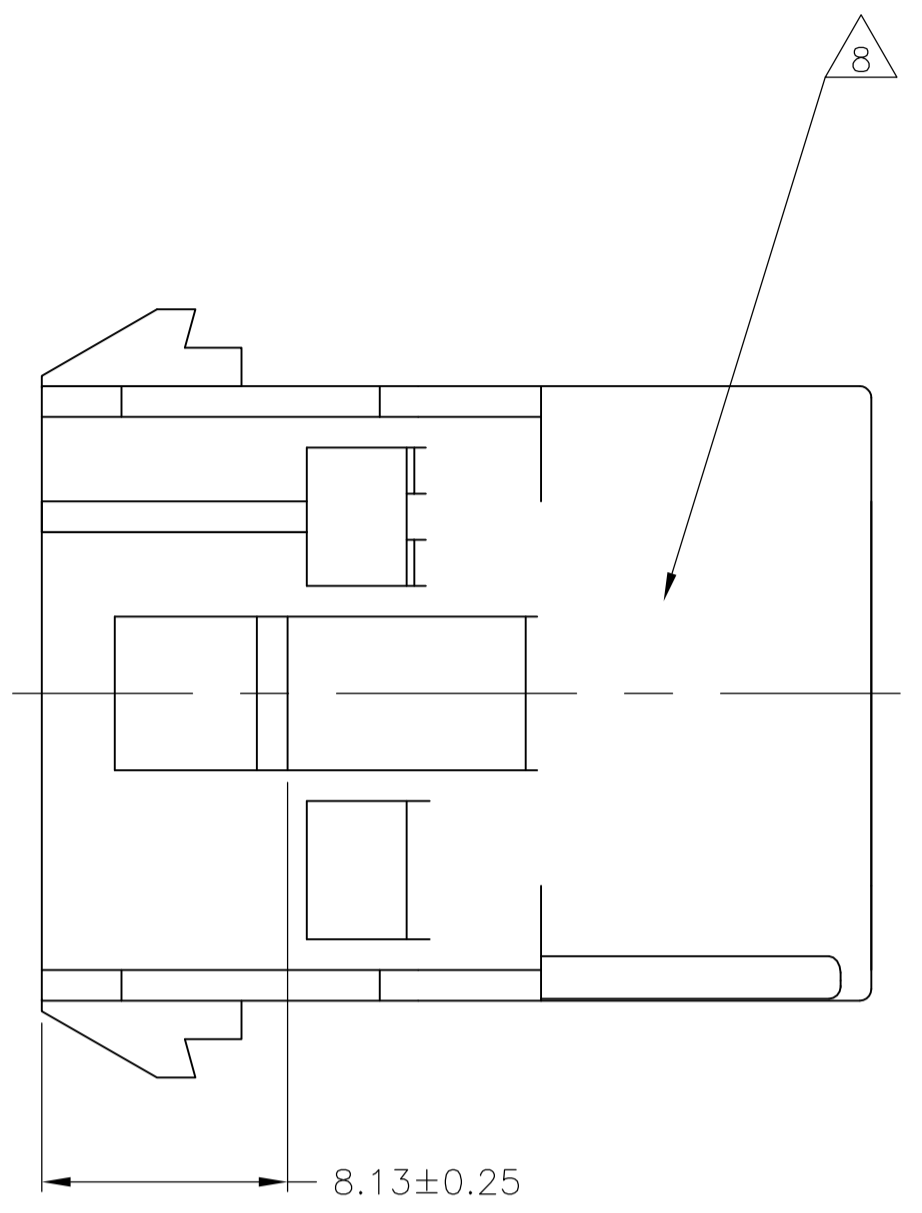
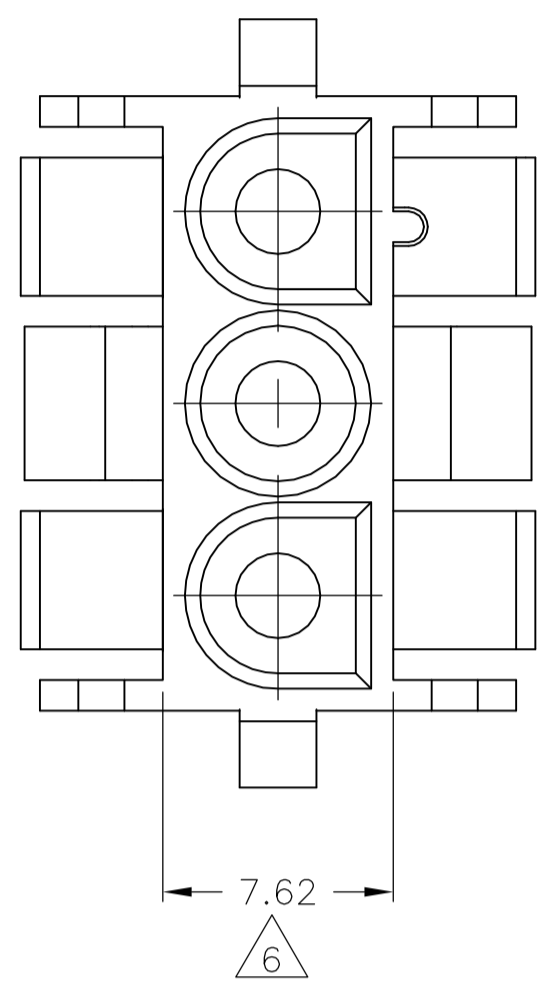
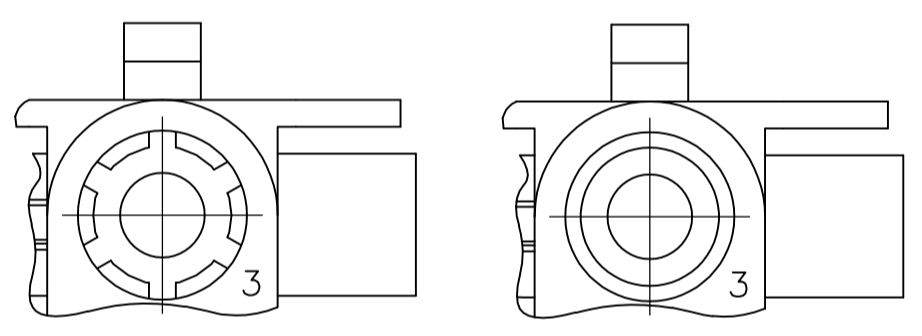


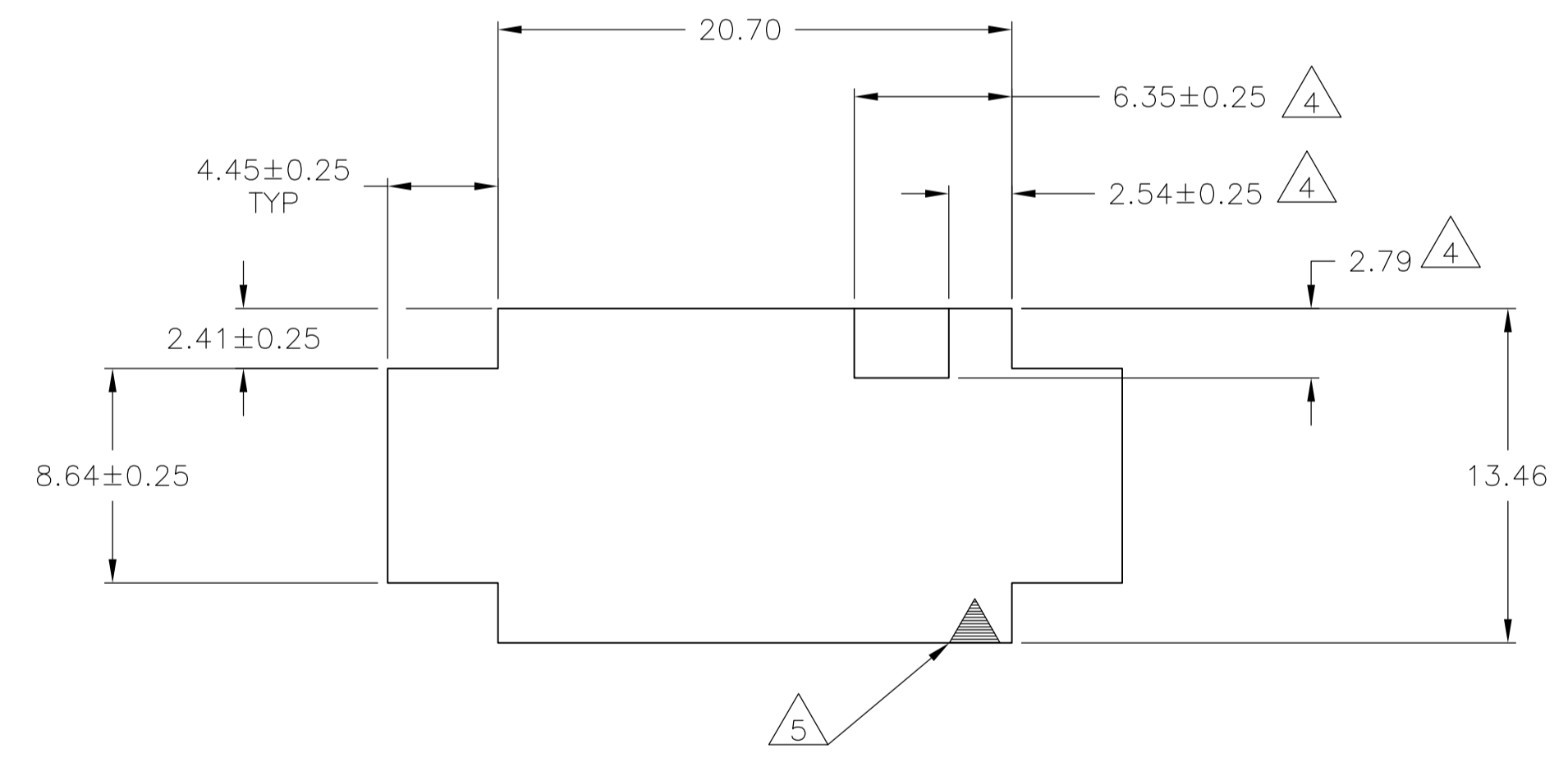
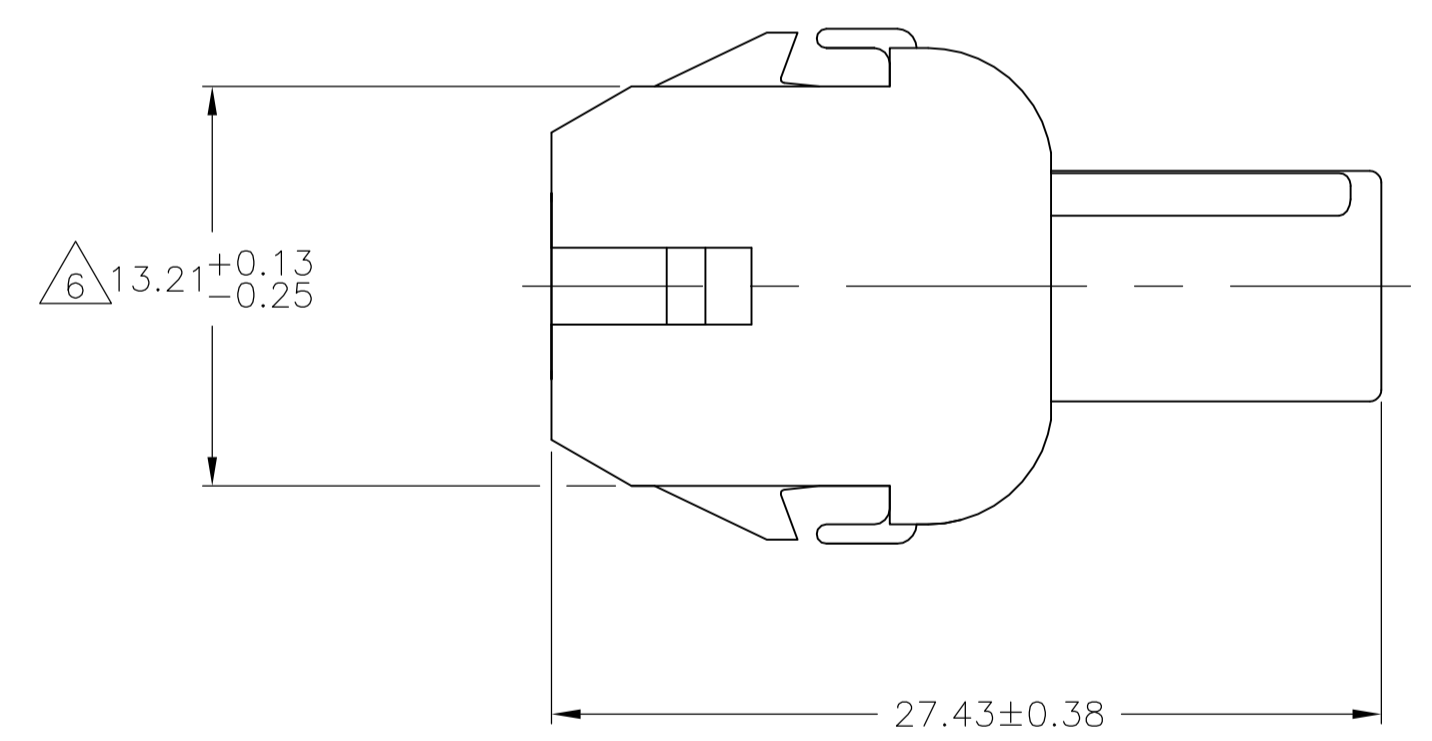
| LOC | DIST | REVISIONS | | | |
|-----|------|-----------|---------------------------|---------|--------|
| CM | 00 | REV | DESCRIPTION | DATE | BY |
| | | AN2 | REVISED PER ECO-11-004587 | 11MAR11 | RK HMR |
| | | AN3 | REVISED PER ECR-14-002588 | 06MAR14 | AV KD |



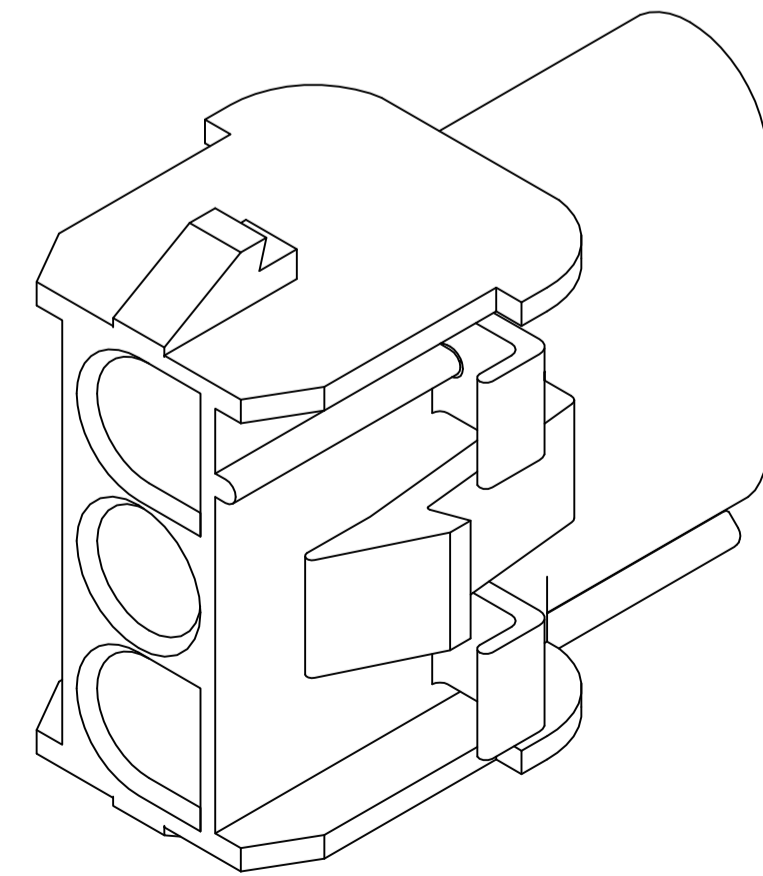
1. MATES WITH APPROPRIATE UNIVERSAL MATE-N-LOK™ PLUG.
2. RECOMMENDED PANEL THICKNESS 0.76 - 2.29.
3. PANEL MUST BE PUNCHED SO THAT THE HOUSING ENTERS THE PANEL IN THE SAME DIRECTION AS THE PUNCH.
4. OPTIONAL FOR KEYING HOUSING IN PANEL.
5. CIRCUIT NUMBER 1 LOCATION.
6. DIMENSION INDICATED IS AS MOLDED. ADDITIONAL GROWTH DUE TO SUBSEQUENT MOISTURE ABSORPTION MAY OCCUR.
7. FOUR RIBS EQUALLY SPACED, NO SPECIFIC ORIENTATION, NO RIBS OR SIX RIBS EQUALLY SPACED, NO SPECIFIC ORIENTATION, OPTIONAL.
8. UNDERWRITERS RECOGNIZED COMPONENT LOGO AND CSA CERTIFICATION LOGO TO BE LOCATED ONCE EACH ON SIDE OF HOUSING.
9. OBSOLETE PARTS: OBSOLETE CIS STREAMLINING PER D.RENAUD/D.SINISI



DETAIL A
OPTIONAL CONSTRUCTIONS



RECOMMENDED PANEL CUT OUT



3-DIMENSIONAL MODEL
NTS

| MM | IN | MM | IN |
|------|------|-------|-------|
| 4.45 | .175 | 27.43 | 1.080 |
| 2.79 | .110 | 20.70 | .815 |
| 2.54 | .100 | 20.32 | .800 |
| 2.41 | .095 | 13.46 | .530 |
| 2.29 | .090 | 13.21 | .520 |
| 0.76 | .030 | 8.64 | .340 |
| 0.38 | .015 | 8.13 | .320 |
| 0.25 | .010 | 7.62 | .300 |
| 0.13 | .005 | 6.35 | .250 |
| MM | IN | MM | IN |

CONVERSION TABLE

| | |
|---------|------------|
| BLACK | 1-480701-9 |
| GRAY | 1-480701-8 |
| BLUE | 1-480701-6 |
| GREEN | 1-480701-5 |
| YELLOW | 1-480701-4 |
| ORANGE | 1-480701-3 |
| RED | 1-480701-2 |
| BROWN | 1-480701-1 |
| NATURAL | 1-480701-0 |
| COLOR | PART NO. |

OBsolete

THIS DRAWING IS A CONTROLLED DOCUMENT.

| | | | |
|-------------------------|--|---------------------------|--------------------------|
| DIMENSIONS: mm | TOLERANCES UNLESS OTHERWISE SPECIFIED: | DIN K. WHITAKER 28JUL2004 | CHK S. RIDGILL 28JUL2004 |
| 0. PLC ± - | 1. PLC ± 0.13 | APVD S. RIDGILL 28JUL2004 | NAME |
| 2. PLC ± - | 3. PLC ± - | PRODUCT SPEC | APPLICATION SPEC |
| 4. PLC ± - | ANGLES ± 0°30' | WEIGHT | RESTRICTED TO |
| MATERIAL NYLON, UL94V-2 | FINISH | SIZE A1 | CAGE CODE 00779 |
| CUSTOMER DRAWING | | SCALE 4:1 | SHEET 1 OF 2 |

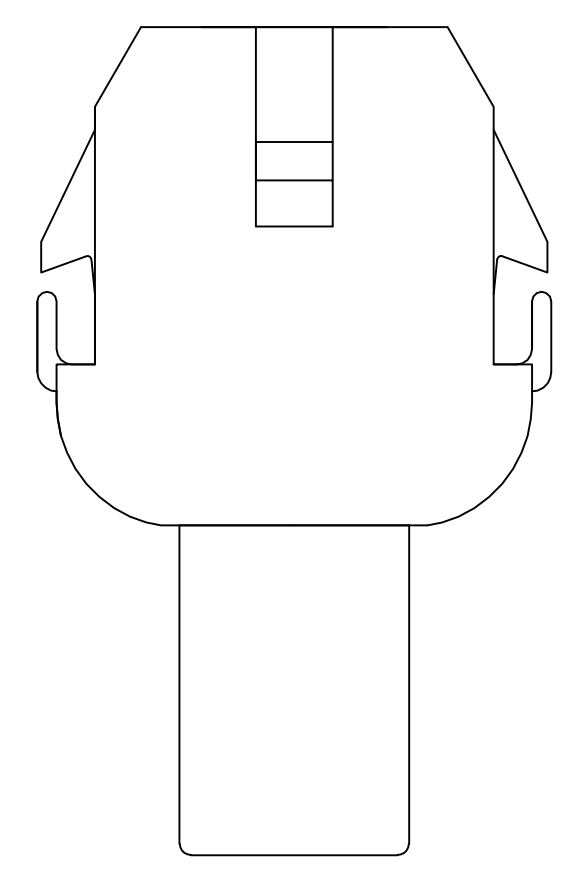
STE TE Connectivity

CAP, 3 CIRCUIT, UNIVERSAL MATE-N-LOK(TM)

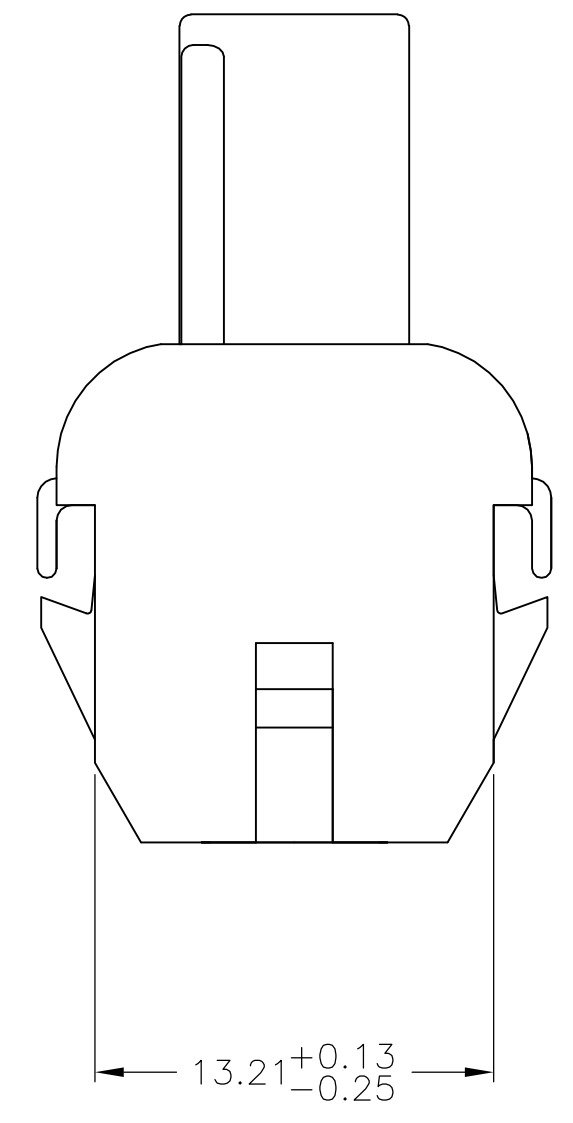
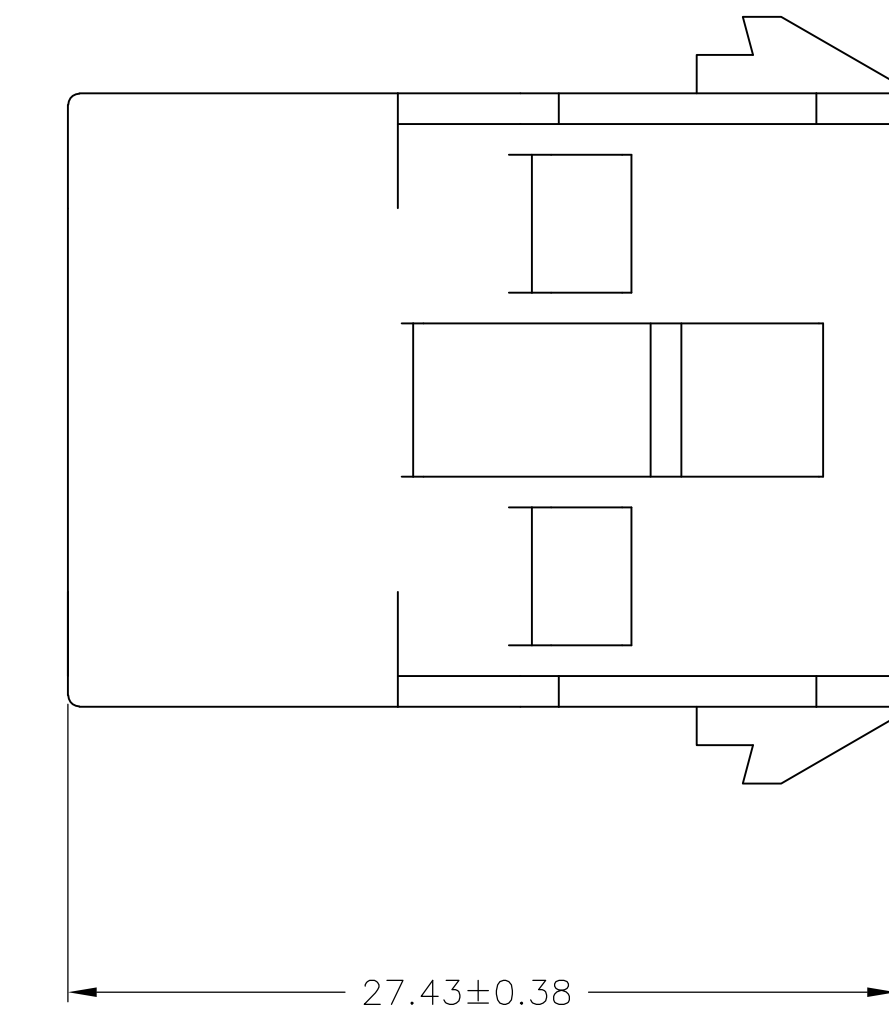
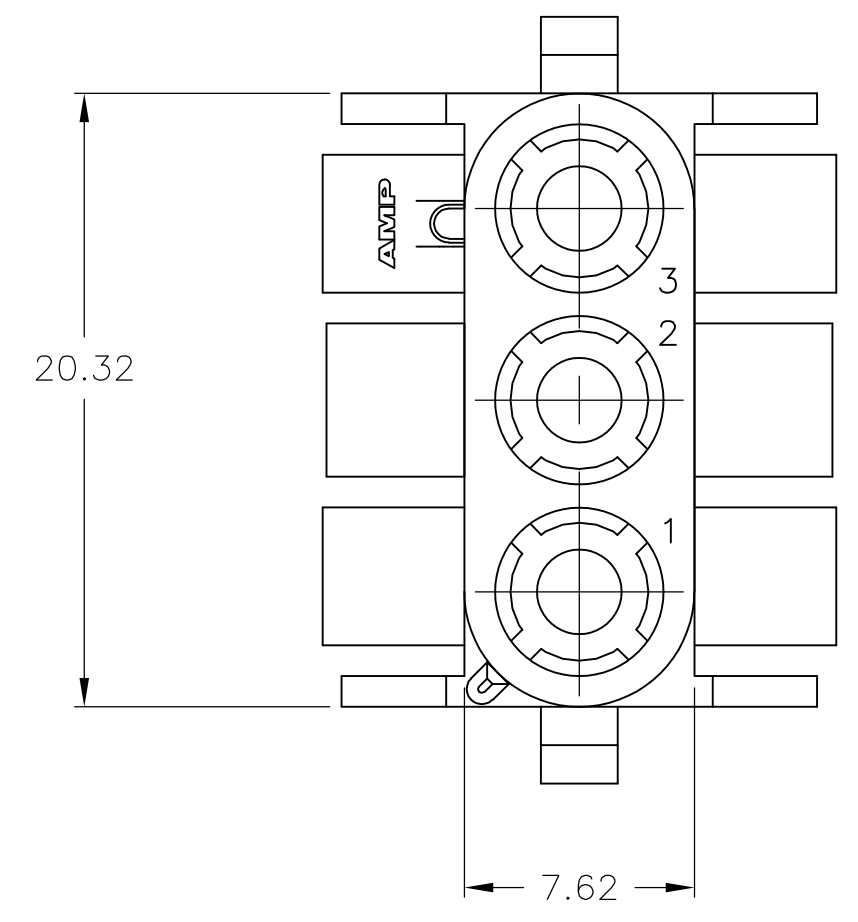
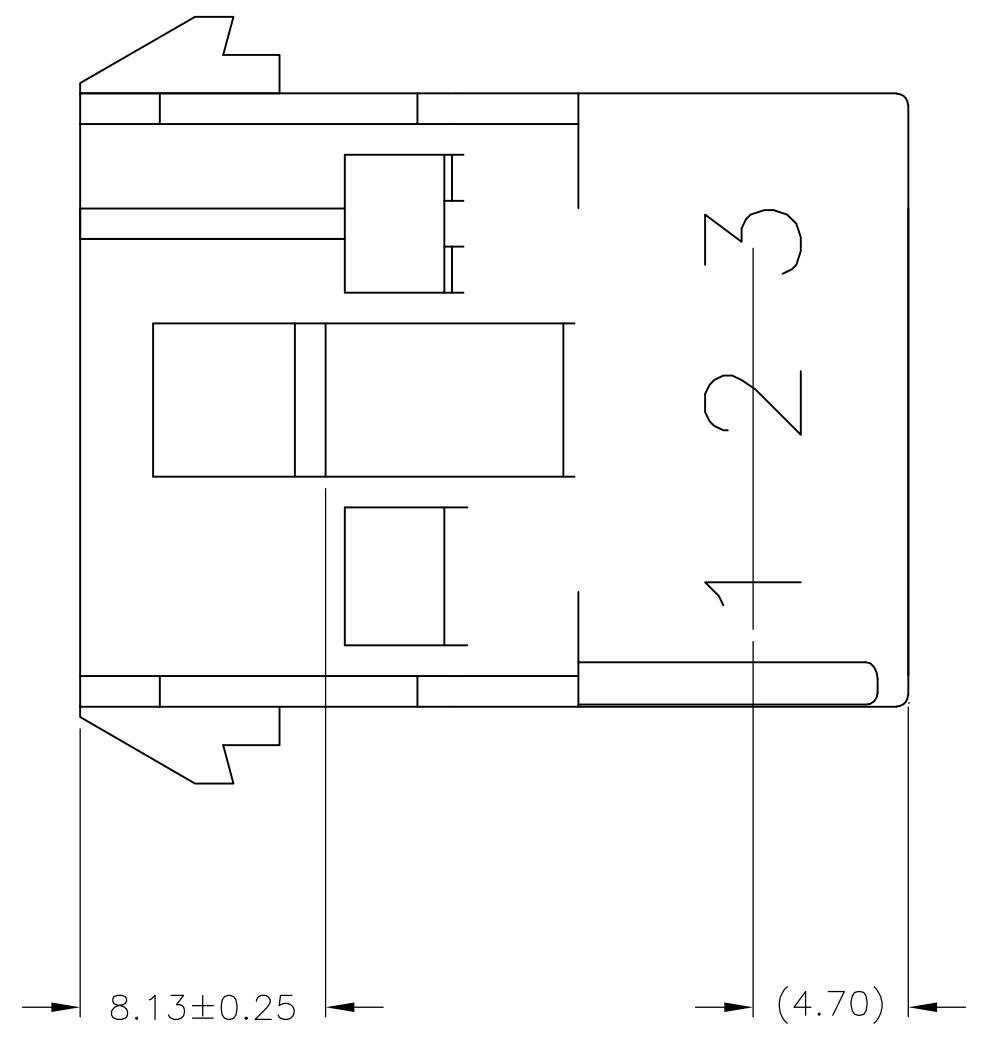
480701



| LOC | | DIST | | REVISIONS | | | |
|-----|-----|-------------|------|-----------|------|---|---|
| IF | LTR | DESCRIPTION | DATE | DRN | APPR | | |
| - | - | SEE SHEET 1 | - | - | - | - | - |



1. STAMP NUMBERS 3.18 HIGH AT WIRE END OF HOUSING (12 POINT DAVID TYPE).
2. CHARACTERS TO BE STAMPED ON HOUSING IN A MANNER AS TO BE READ FROM WIRE END ONLY.
3. VIOLET, BLACK, BROWN AND BLUE COLORED BLOCKS TO BE STAMPED WITH WHITE CHARACTERS. ALL OTHER COLORED BLOCKS TO BE STAMPED WITH BLACK CHARACTERS.



| MM | IN | MM | IN |
|------|------|-------|-------|
| 5.59 | .220 | - | - |
| 4.70 | .185 | 27.43 | 1.080 |
| 3.18 | .125 | 20.32 | .800 |
| 0.38 | .015 | 13.21 | .520 |
| 0.25 | .010 | 8.13 | .320 |
| 0.13 | .005 | 7.62 | .300 |

CONVERSION TABLE

| | |
|---------|------------|
| NATURAL | 2-480701-0 |
| COLOR | PART NO |



| | | | | |
|--|--|---------------------------------|--|--|
| THIS DRAWING IS A CONTROLLED DOCUMENT. | | DWN K. WHITAKER 28JUL2004 | NAME | |
| DIMENSIONS: mm | | CHK S. RIDGILL 28JUL2004 | CAP, 3 CIRCUIT, UNIVERSAL MATE-N-LOK(TM) | |
| TOLERANCES UNLESS OTHERWISE SPECIFIED: | | APPR S. RIDGILL 28JUL2004 | PRODUCT SPEC | |
| 0 PLC ± - | | APPLICATION SPEC | | |
| 1 PLC ± - | | RESTRICTED TO | | |
| 2 PLC ± 0.13 | | SIZE CAGE CODE DRAWING NO | | |
| 3 PLC ± - | | A1 00779 480701 | | |
| 4 PLC ± - | | CUSTOMER DRAWING | | |
| ANGLES ± 0°30' | | SCALE 4:1 SHEET 2 OF 2 REV AN2 | | |
| FINISH - | | WEIGHT - | | |

